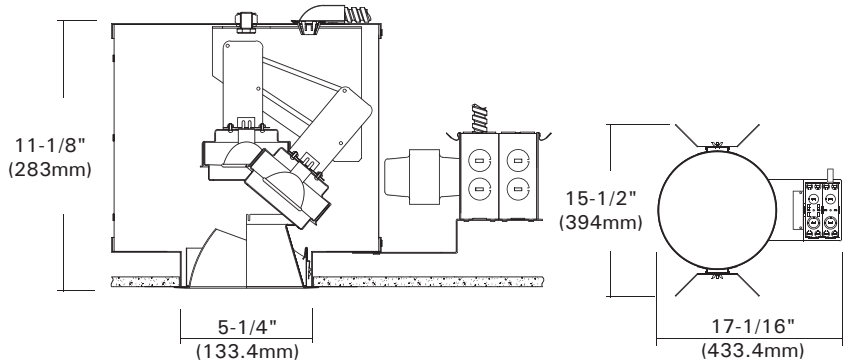


DLH-8550-M75

5" Architectural Frame Internally Adjustable Wall Wash & Directional
For MR16 / 12V Lamps

Catalog #		Type
Project		Date
Prepared by		

HALOGEN



DESCRIPTION

The fixture is a architectural frame-in-kit with 5" aperture for MR-16 lamps and adjustable 0~42° tilt lamp reflector. The fixture is designed for use in non-insulated ceiling but insulation must be kept 3" away from all sides of the housing.

DESIGN FEATURES

Ceiling Cut-out : 5-1/2"
Lamp, Max, Watt. / Ballast : 75W / MR16

◦ Housing

- C-UL listed, NON-IC, thermally protected housing for Max 75W MR-16.
- Black painted heavy metal housing and compact frames designed to fit in commercial / architectural construction.
- 1-5/8" deep collar may use for various thickness of ceiling materials.

◦ Junction Box

- Listed for through branch circuit wiring. (Max.8 No 12 AWG 90°C branch circuit conductors. (4 in, 4 out)
- (5)1/2" knockouts with true pry-out slots and (4) knockouts with Romex cable clamp.
- Ground wire provided on J-box.

◦ Mounting Channel Bracket

- Commercial mounting kit provided up to 5" vertical adjustment, which accommodates 1/2" EMT conduit, optional HB-24 or HBC-24 bar hanger or lathing channels for T-bar grid or concealed spline ceiling.

◦ Trims

- Lens wall wash and open wall wash reflectors, with self flange, also available slope baffle trims.

◦ Direction adjustment

- Adjustable lamp direction in 358° rotation and 0~42° tilt with positive locking mechanism in adjustable bracket.

◦ Transformer

- -M50 : 50W Magnetic
- -M75 : 75W Magnetic
- -E75 : 75W or 50W Electronic

◦ Thermal Protector

- Self resetting thermal detector on J-box deactivates fixture if overheating occurs due to improper lamping or misapplied insulation.

Ordering Information

Housing	Transformer	Voltage	Option
DLH-8550	-M50 : 50W Magnetic -E50 : 50W Electronic -M75 : 75W Magnetic -E75 : 75W Electronic	-Blank : 120V -27 : 277V	

Example : DLH-8550-M75

Trims

5" Internally Adjustable Wall Wash Trims For

DL-8550A, DL-8551A, DL-8550H, DL-8551H, DL-8550TH, DLH-8550

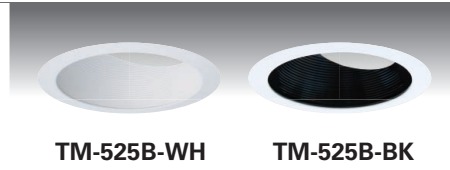
Catalog #		Type
Project		Date
Prepared by		

INCANDESCENT & METAL HALIDE & HALOGEN

TM-525B

Slope Baffle
MR16, PAR20
T4.5

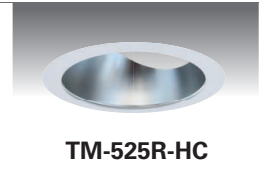
White Metal Trim Ring
O.D : 5-3/4"



TM-525R

Slope Clear Reflector
MR16, PAR20
T4.5

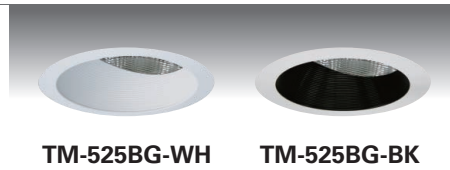
White Metal Trim Ring
O.D : 5-3/4"



TM-525BG

Slope Baffle w/ Convex Prismatic Lens
MR16, PAR20
T4.5

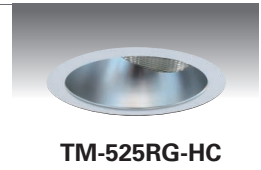
White Metal Trim Ring
O.D : 5-3/4"



TM-525RG

Slope Reflector w/ Convex Prismatic Lens
MR16, PAR20
T4.5

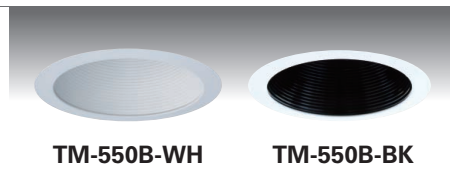
White Metal Trim Ring
O.D : 5-3/4"



TM-550B

Straight Baffle
MR16, PAR20
T4.5

White Metal Trim Ring
O.D : 5-3/4"



TM-550R

Straight Reflector
MR16, PAR20
T4.5

White Metal Trim Ring
O.D : 5-3/4"



ORDERING INFORMATION

Choose the catalog / finish codes that best suit your needs and enter it on the appropriate line.

TRIM MODEL	REFLECTOR	LENS	BAFFLE	METAL RING
	CL :Clear	FR :Fresnel	WH :White	WH :White
	WH :White	AS :All Sanded	BK :Black	BK :Black
	GD :Gold	CL :Clear	SN :Satin Nickel	SN :Satin Nickel
	MA :Matte Platinum	CV :Convex Prismatic	AN :Antique Nickel	AN :Antique Nickel
	CP :Champagne	AL :Albalite	AC :Antique Copper	AC :Antique Copper
	PR :Pewter	SPL :Comfort Linear	MO :Mocha	MO :Mocha
	HC :Haze Clear		CA :Cappuccino	CA :Cappuccino
			CH :Chrome	CH :Chrome
			UN :Natural Steel	UN :Natural Steel
			PB :Polished Brass	PB :Polished Brass

Examples:

TM-525R-HC-WH = White Trim Ring w/ Haze Clear Slope Reflector
TM-550R-HC-WH = White Trim Ring w/ Haze Clear Reflector